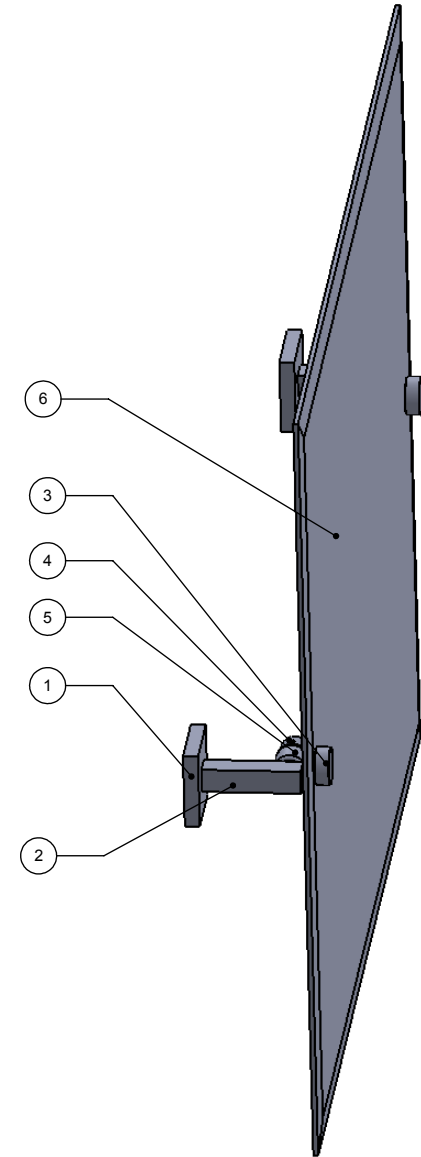
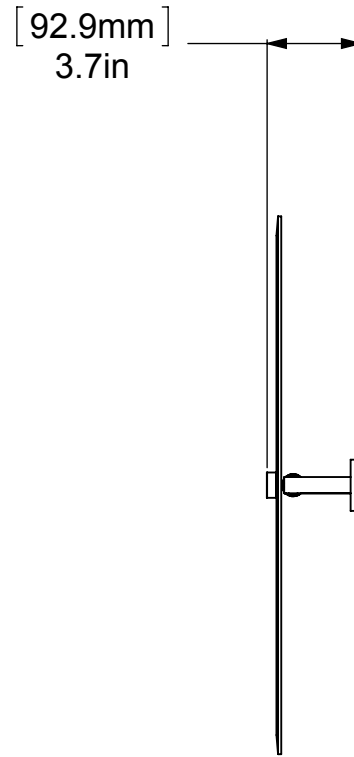
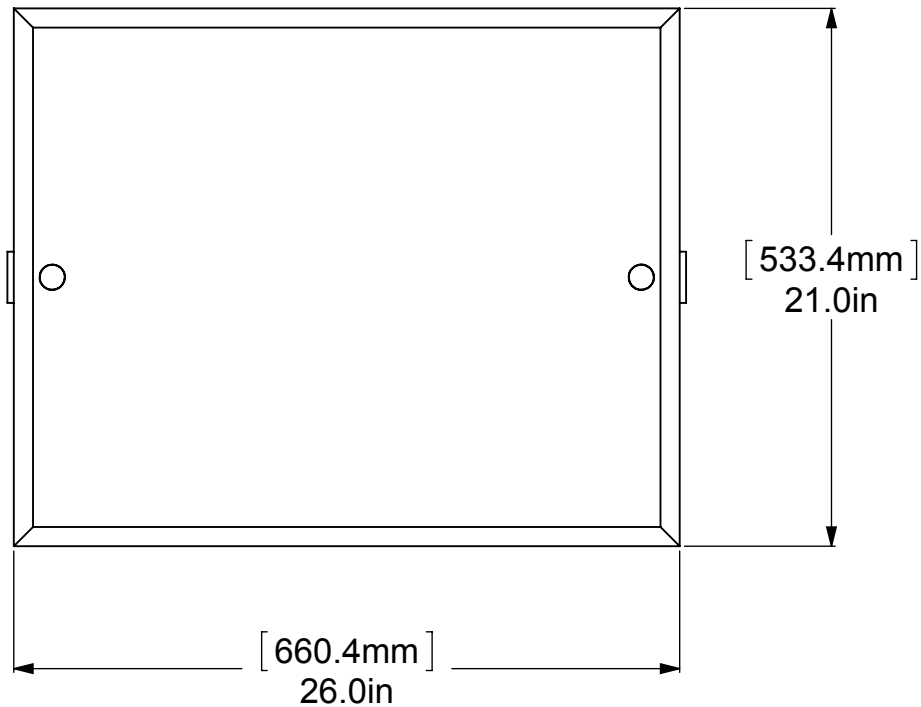


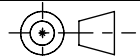
ITEM NO.	P/N	Description	QTY.
1	BPSQ	BACKPLATE	2
2	HKSQ-2.5	Neck	2
3	CARD-1	LOCK	2
4	LNMR-38	HUB	2
5	MR-TILT-FITT	TILT ADJUSTER	2
6	MRRT-93	MIRROR	1




UNLESS OTHERWISE STATED

.X	±.3mm
.XX	±.15mm
.XXX	±.008mm

COPYRIGHT © Allied Brass 2016



THIRD ANGLE PROJECTION

DRAWN	6/11/2016	I.M	MATERIAL:	BRASS	FINISH	TBD
CHECKED	6/11/2016	P.D	DESCRIPTION:		QUANTITY	TBD
APPROVED	6/11/2016	R.A	MIRROR		DRAWING No.	REV
					MT-93	0
				SCALE	1:8	SHEET: 01 A4